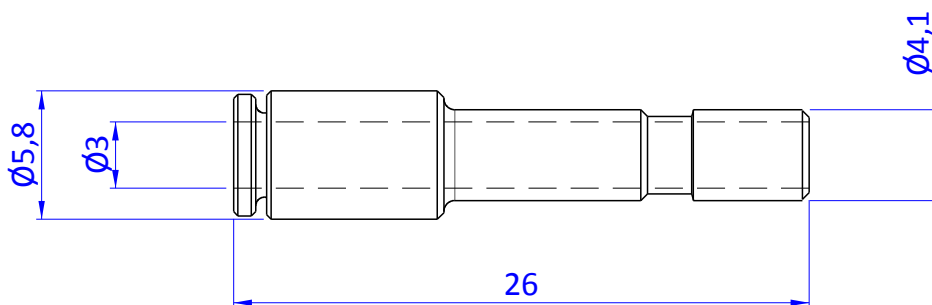
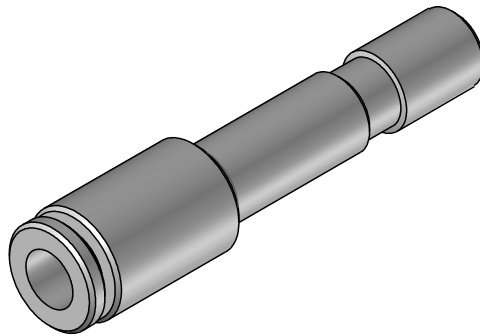


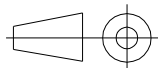
THE PROPERTY OF THE DRAWING IS ESTABLISHED BY LAW. IT IS FORBIDDEN TO PRODUCE OR SHOW IT TO THIRD PART. WITHOUT A WRITTEN AGREEMENT.



Format A4

UNI 936-76

FPS
FPSERVICES AUTOMATION



GENERAL TOLERANCE

UNI - ISO 2768

CLASSE f

DESCRIPTION

CA.12.05.035

DESIGNED FROM

FPS Automation

REVIEW

A

DATE

24/10/2016

WEIGHT

0,002kg

CODE

CA.12.05.035